

Thrust Ball Bearings

Bearing No. : **NACHI 53240U**

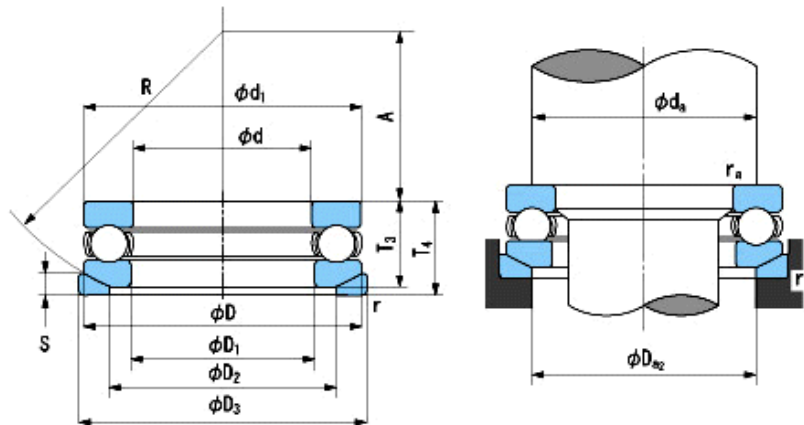
■ Bearing Type

■ Clearance

■ Tolerance Class

Dimensions

d = 200	0 -0.030
D = 280	0 -0.035
T3 = 65.3	
T4 = 74	
r = 2~4	
(Radial Direction and Axial Direction)	
d1(max) = 277	
D1(min) = 204	
D2 = 240	
D3 = 290	
S = 23	
R = 225	
A = 125	



Dimensions

da(min) = 248
Da2(max) = 240
ra(max) = 2
Mass = 14.8 kg

Basic Dynamic Load Rating Ca :	315,000 N
Basic Static Load Rating Coa :	1,110,000 N
Limiting Speed ;	
Grease Lubrication :	720 min ⁻¹
Oil Lubrication :	1,000 min ⁻¹

	INNER RING	OUTER RING
O.D.Surface Runout with Side :		-
Axial Runout with Bore :	-	
Axial Runout with Raceway :	-	
Width Variation :	-	
Radial Runout :	-	